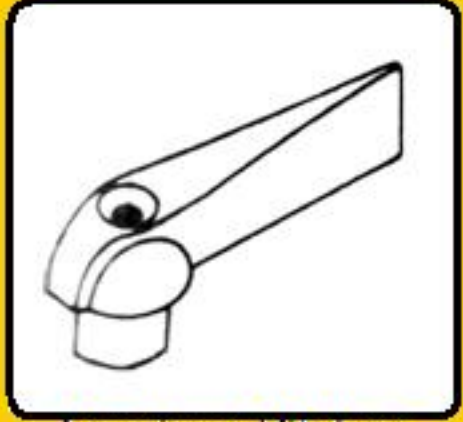
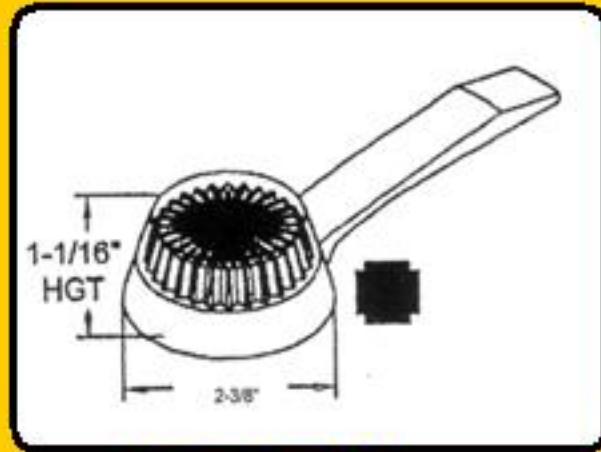


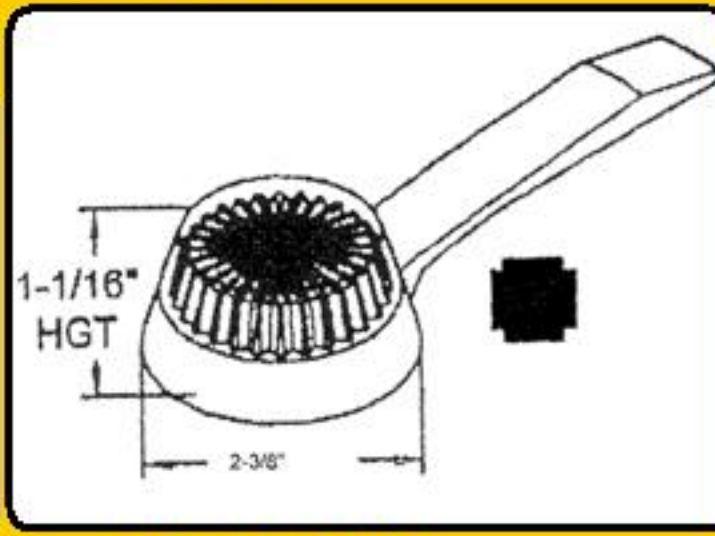
# TRIPLE "S" Specialties Corp.



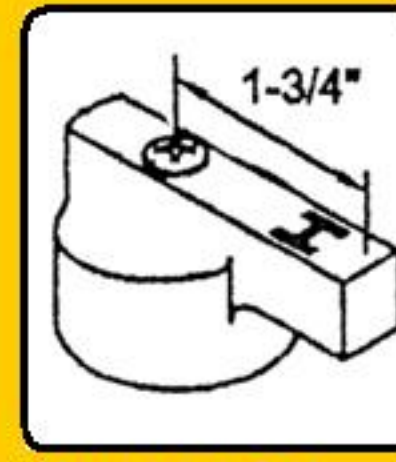
American Kitchen  
HAK 01PR



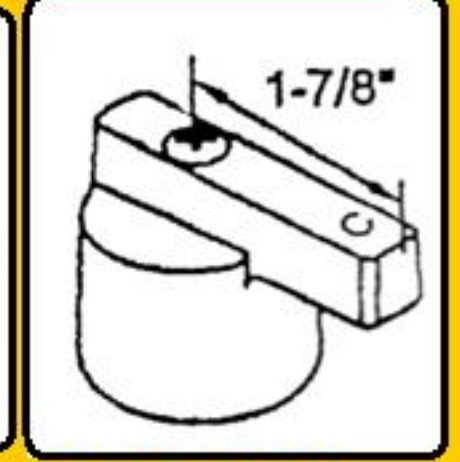
American Std  
HAS 03



American Std  
HAS 04



American Std  
HAS 05PR



American Std  
HAS 06PR



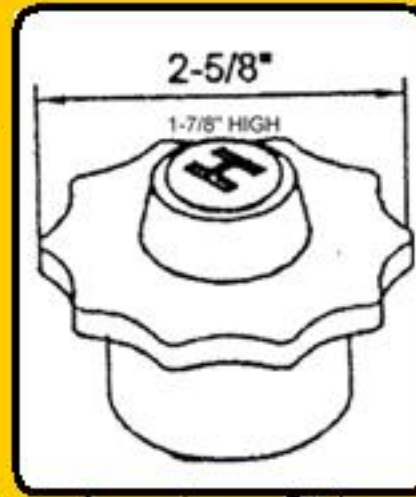
American Std  
HAS 07PR



American Std  
HAS 08PR



American Std  
HAS 17PR



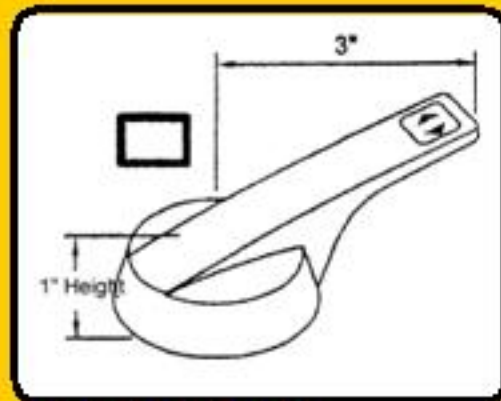
American Std  
HAS 25PR  
HAS 25D



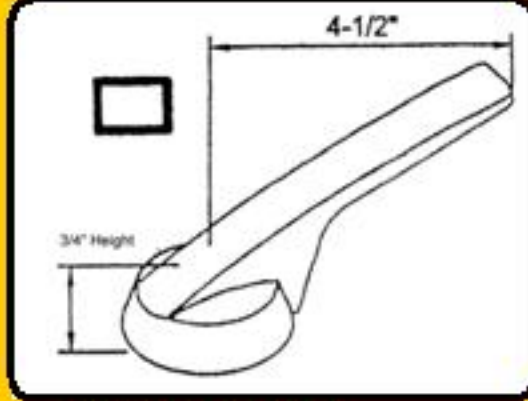
American Std  
HAS 09 chrome  
HAS 10 acrylic



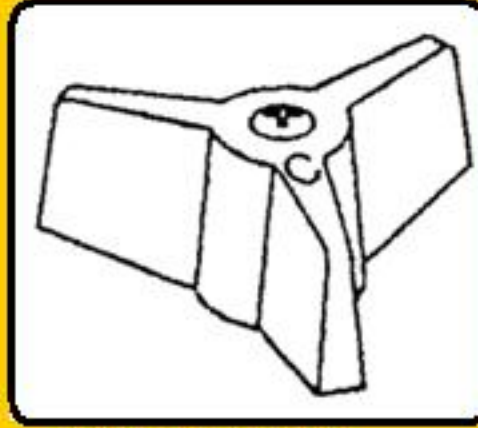
American Std  
HAS 11 chrome  
HAS 12 acrylic



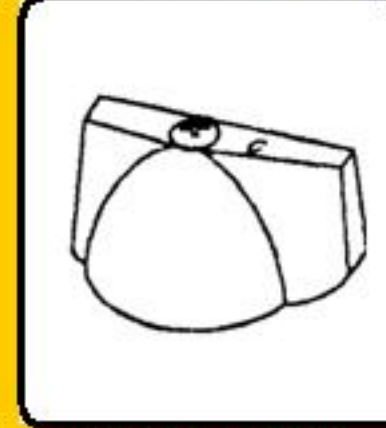
American Std  
HAS 13



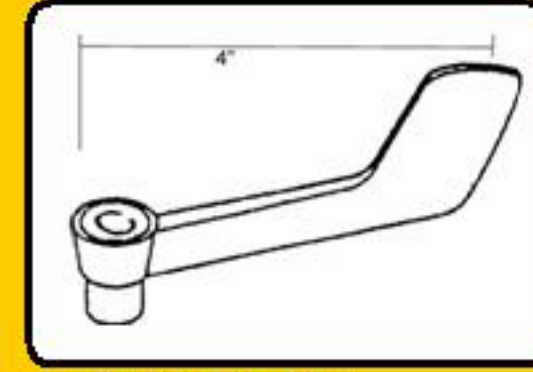
American Std  
HAS 14



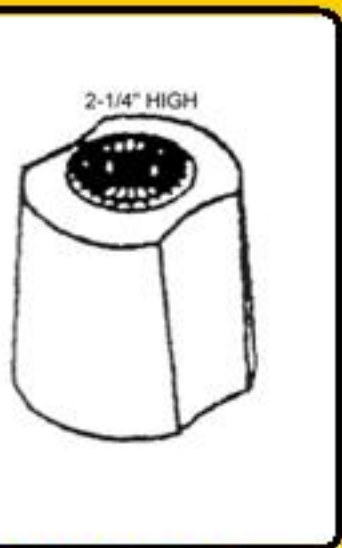
American Std  
HAS 16PR



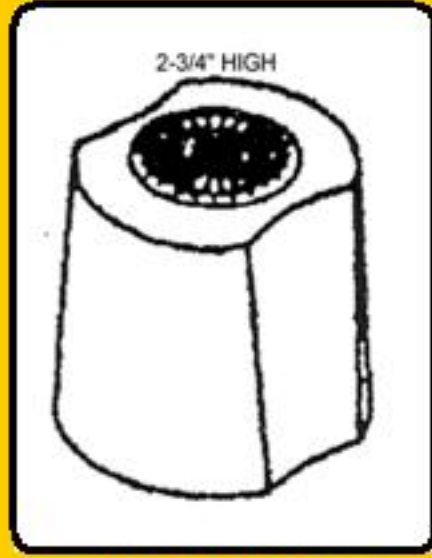
American Std  
HAS 21PR



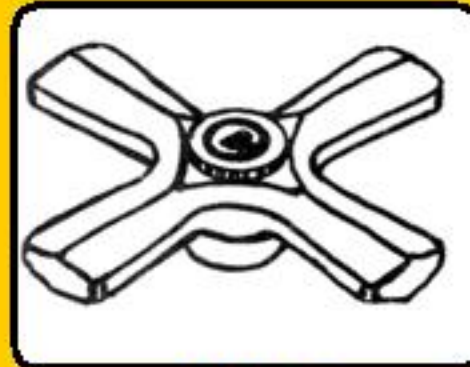
American Std  
HAS 18PR



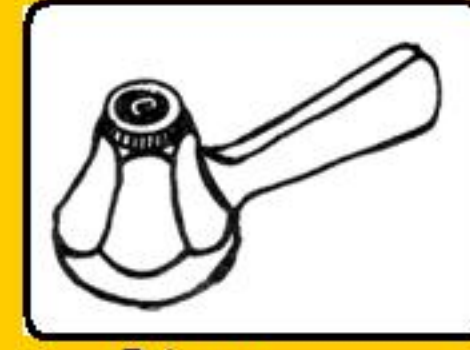
American Std  
HAS 22PR



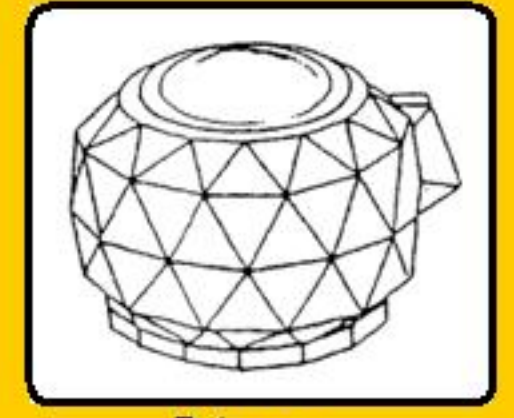
American Std  
HAS 23PR



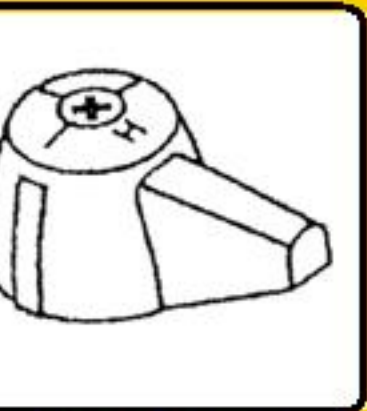
Briggs  
H BR 01PR



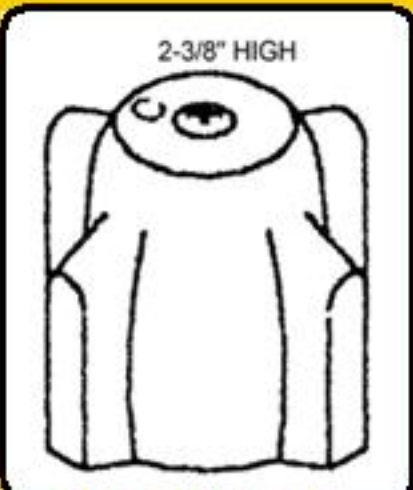
Briggs  
H BR 02PR  
H BR 02D



Briggs  
H BR 03



Central Brass  
H CB 01PR



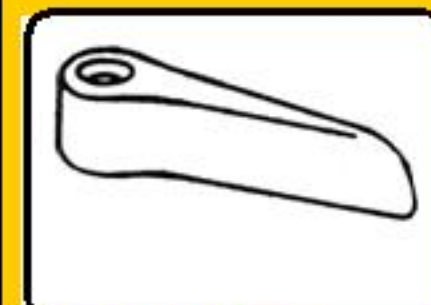
Central Brass  
H CB 02PR  
H CB 02D



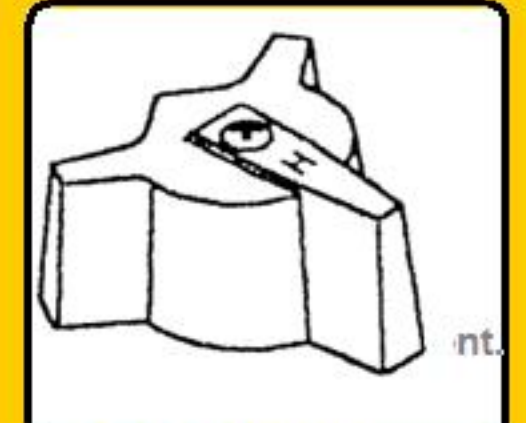
Central Brass  
H CB 03PR



Central Brass  
H CB 06PR



Central Brass  
H CB 07PR



Central Brass  
H CB 08PR  
H CB 08D