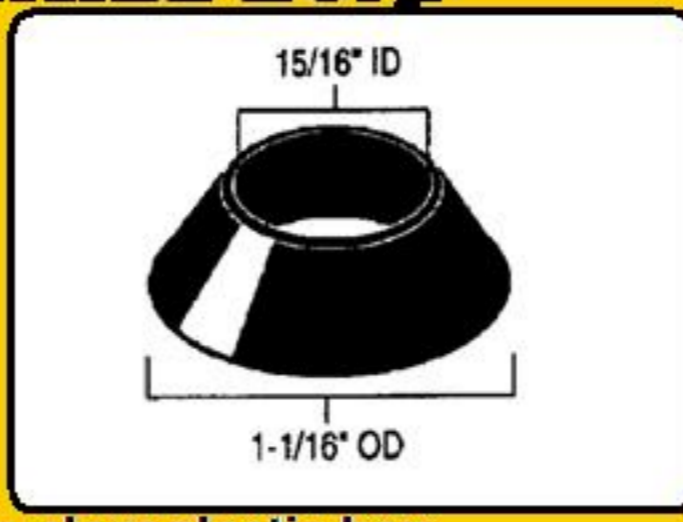


BEVELED BALLCOCK SHANK WASHER

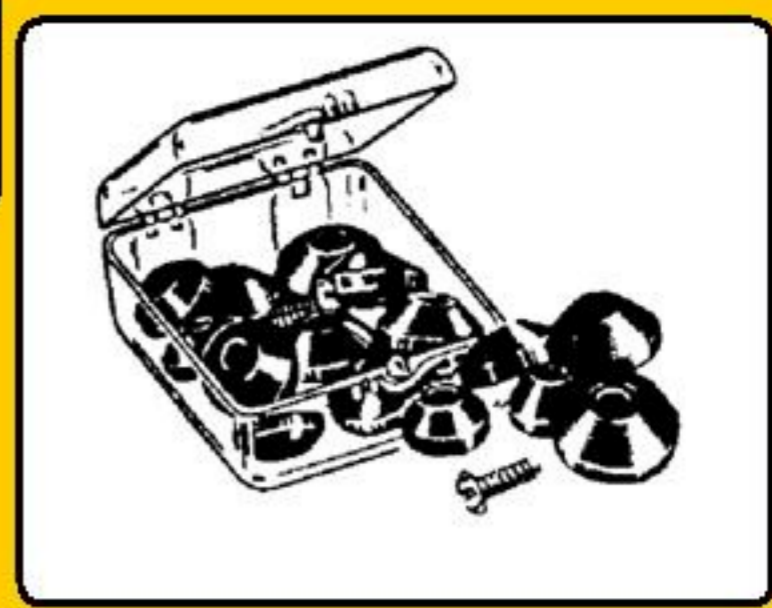
65-01000



HOME-PACK WASHER ASSORTMENT

24 boxes-20 assorted washers and screws in a clear plastic box

- 65-02200 beveled
- 65-02100 flat



GAUGE GLASS WASHERS

- 65-03050 1/2"
- 65-03063 5/8"
- 65-03075 3/4"
- 65-03563 5/8" high pressure



PLUMBERS' REPAIR KIT

65-06000 each plastic container includes asst. rubber, leather, washers, screws and O rings



DEEP SEAL WAX GASKET WITH PLASTIC HORN

65-08000



WAX GASKET-REGULAR

65-10000



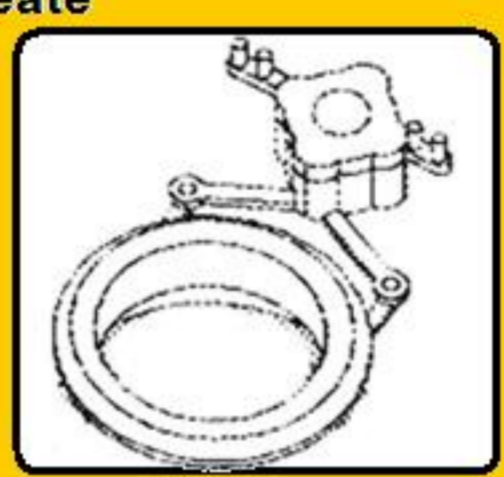
EXTEND A COLLAR

65-25000 Long collar that replaces conventional wax rings complete with adhesive ring.
 * Mounts directly to the bottom of the toilet!
 * Reconciles floor heights to toilet the base.
 * Great for rehabs!
 * Adheres to toilet during installation
 * Creates an "A" seal on "B" and "C" surfaces



FLUSH VALVE SEAT REPAIR

65-27000 Heavy duty plastic ring adheres to flush valve seat to create new perfect smooth seat. Use with adhesive gooey ring. Can use most standard flappers or tank balls

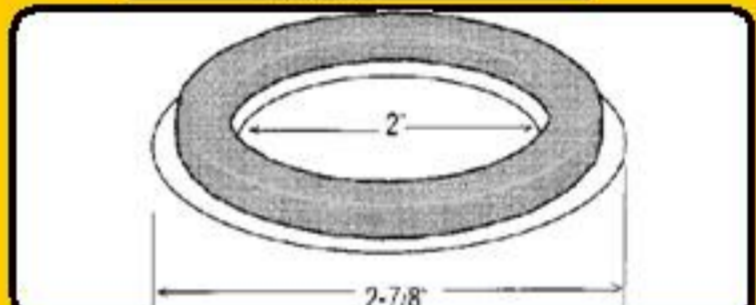


FLUSH VALVE SEAT AND GOOY RING KIT

65-27500 Kit contains a new saet and adhesive ring

MULTI-PURPOSE ADHESIVE RING

65-28000 Adhesive Goey Ring seals perfectly the first time
 Uses include: * connections with flush valves *
 * urinal drains * tub/shower connections *
 * wastes and overflows * many more *



CRANE DIAL-EZE WASHER

65-11000



PRICE PFISTER WASHERLESS CONE WASHER

65-13000



GERBER WASHERLESS SEAL WASHER

65-14000



SPONGE TOILET FLOOR GASKET

65-15000 Excellent for wall hung toilets or heated floors



Sponge Urinal Flange Gasket

65-18000



GRIZZLE "RED" PREMIUM FAUCET WASHERS -

Made from a tough rubber compound to withstand rough seats and hot water. The base polymer for the compound is Nitrile (Buna-N) and it provides excellent abrasion resistance. Used for both Hot and Cold water.

65-19100	100 ASST Flat	65-19105	100 1/4L Flat
65-19101	100 00 Flat	65-19106	100 3/8 Flat
65-19102	100 0 Flat	65-19108	100 3/8L Flat
65-19104	100 1/4 Flat	65-19109	100 1/2 Flat
65-19120	20 ASST Flat	65-19125	20 1/4L Flat
65-19121	20 00 Flat	65-19126	20 3/8 Flat
65-19122	20 0 Flat	65-19128	20 3/8L Flat
65-19124	20 1/4 Flat	65-19129	20 1/2 Flat

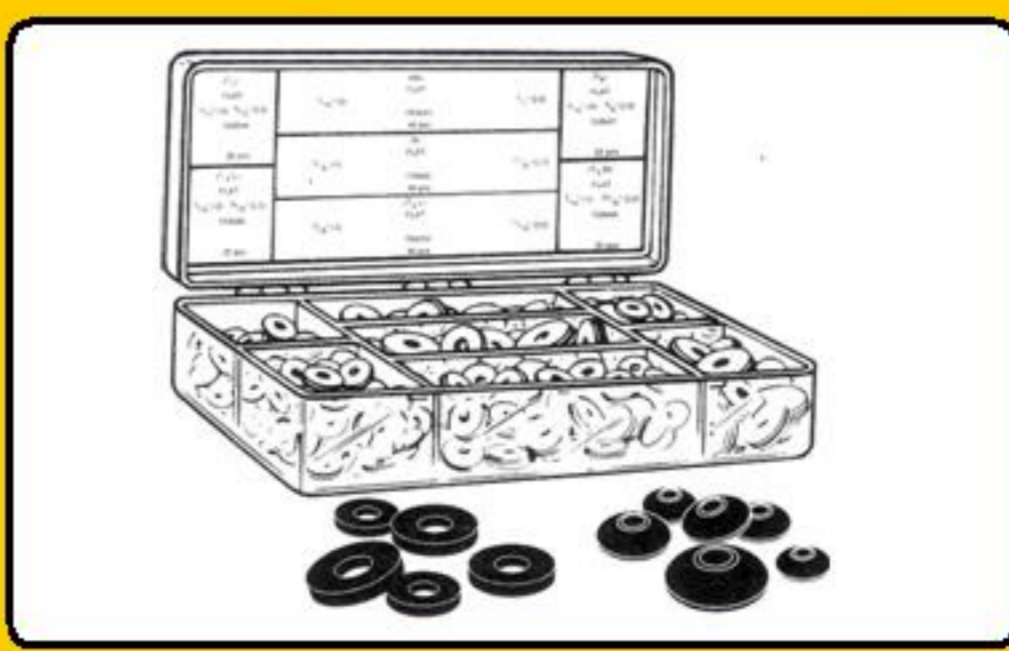


65-19200	100 ASST Bev	65-19205	100 1/4L Bev
65-19201	100 00 Bev	65-19206	100 3/8 Bev
65-19202	100 0 Bev	65-19208	100 3/8L Bev
65-19204	100 1/4 Bev	65-19209	100 1/2 Bev
65-19220	20 ASST Bev	65-19225	20 1/4L Bev
65-19221	20 00 Bev	65-19226	20 3/8 Bev
65-19222	20 0 Bev	65-19228	20 3/8L Bev
65-19224	20 1/4 Bev	65-19229	20 1/2 Bev



- 65-20110 100 Assorted RED Flat Washer Kit
- 65-20210 100 Assorted RED Beveled Washer Kit

- 65-20120 200 Assorted RED Flat Washer Kit
- 65-20220 200 Assorted RED Beveled Washer Kit



65-15000 Sponge Toilet Gasket
 Most commonly used for heated floors and wall hung toilets.



65-15500 Large Sponge Toilet Gasket w/bolt holes
 Most commonly used for wall hung toilets and heated floors.

