

## STRAIGHT LAVATORY STOPS

|           |                 |           |                 |
|-----------|-----------------|-----------|-----------------|
| 43-013806 | 3/8"ip x 3/8"od | 43-015050 | 1/2"ip x 1/2"ip |
| 43-015006 | 1/2"ip x 3/8"od | 43-013810 | 3/8"ip x 5/8"od |
| 43-016306 | 1/2"cc x 3/8"od | 43-015010 | 1/2"ip x 5/8"od |
| 43-016310 | 1/2"cc x 5/8"od | 43-011006 | 5/8"od x 3/8"od |
| 43-013838 | 3/8"ip x 3/8"ip |           |                 |



## 1/4 Turn Ball CP Flex Straight Stop

|           |   |
|-----------|---|
| 43-391006 | 5/8"od x 3/8"od 1/4 Turn CP Flex Straight Stop  |
| 43-393806 | 3/8"ips x 3/8"od 1/4 Turn CP Flex Straight Stop |
| 43-395006 | 1/2"ips x 3/8"od 1/4 Turn CP Flex Straight Stop |
| 43-396306 | 1/2"cc x 3/8"od 1/4 Turn CP Flex Straight Stop  |



## ANGLE LAVATORY STOPS

|           |                 |           |                 |
|-----------|-----------------|-----------|-----------------|
| 43-023806 | 3/8"ip x 3/8"od | 43-025050 | 1/2"ip x 1/2"ip |
| 43-025006 | 1/2"ip x 3/8"od | 43-023810 | 3/8"ip x 5/8"od |
| 43-026306 | 1/2"cc x 3/8"od | 43-025010 | 1/2"ip x 5/8"od |
| 43-026310 | 1/2"cc x 5/8"od | 43-021006 | 5/8"od x 3/8"od |
| 43-023838 | 3/8"ip x 3/8"ip |           |                 |



## 1/4 Turn Ball CP Flex Angle Stop

|           |  |
|-----------|--|
| 43-411006 | 5/8"od x 3/8"od 1/4 Turn CP Flex Angle Stop  |
| 43-413806 | 3/8"ips x 3/8"od 1/4 Turn CP Flex Angle Stop |
| 43-415006 | 1/2"ips x 3/8"od 1/4 Turn CP Flex Angle Stop |
| 43-416306 | 1/2"cc x 3/8"od 1/4 Turn CP Flex Angle Stop  |



## CP 1/4 TURN FLEXIBLE STRAIGHT PEX STOP

|           |                    |
|-----------|--------------------|
| 43-495006 | 1/2" Pex x 3/8" OD |
|-----------|--------------------|



## CP 1/4 TURN FLEXIBLE ANGLE PEX STOP

|           |                    |
|-----------|--------------------|
| 43-515004 | 1/2" Pex x 1/4" OD |
| 43-515006 | 1/2" Pex x 3/8" OD |



## Two Way CP Flexible Angle Stop

One inlet-two outlets + Simply use a two way valve for easy installation of dishwasher, ice-maker or water filter as well as original supply intention.

|          |                             |
|----------|-----------------------------|
| 43-30264 | 3/8" IPS x 3/8"OD x 1/4" OD |
| 43-30266 | 3/8" IPS x 3/8"OD x 3/8" OD |
| 43-30364 | 1/2" IPS x 3/8"OD x 1/4" OD |
| 43-30366 | 1/2" IPS x 3/8"OD x 3/8" OD |



## FLEXIBLE LAVATORY STOPS WITH 5" EXTENSION

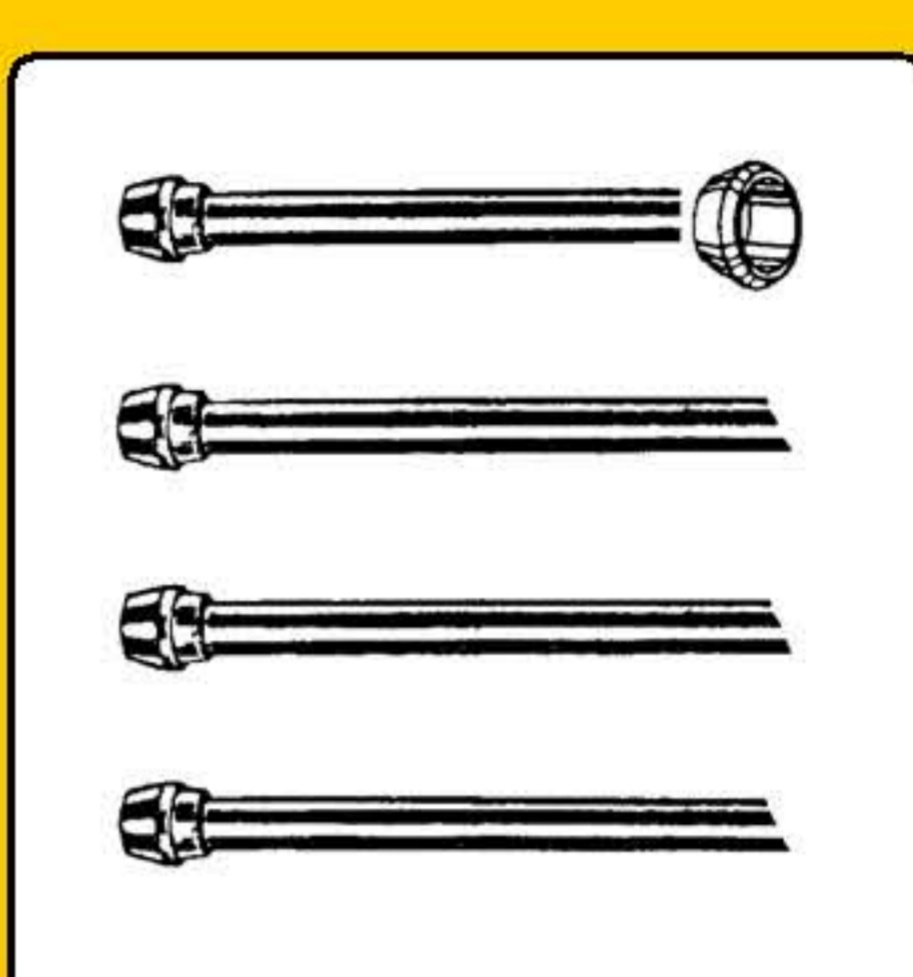
Extension fits over 1/2" nominal tubing

|          |          |
|----------|----------|
| 43-03000 | angle    |
| 43-03005 | straight |



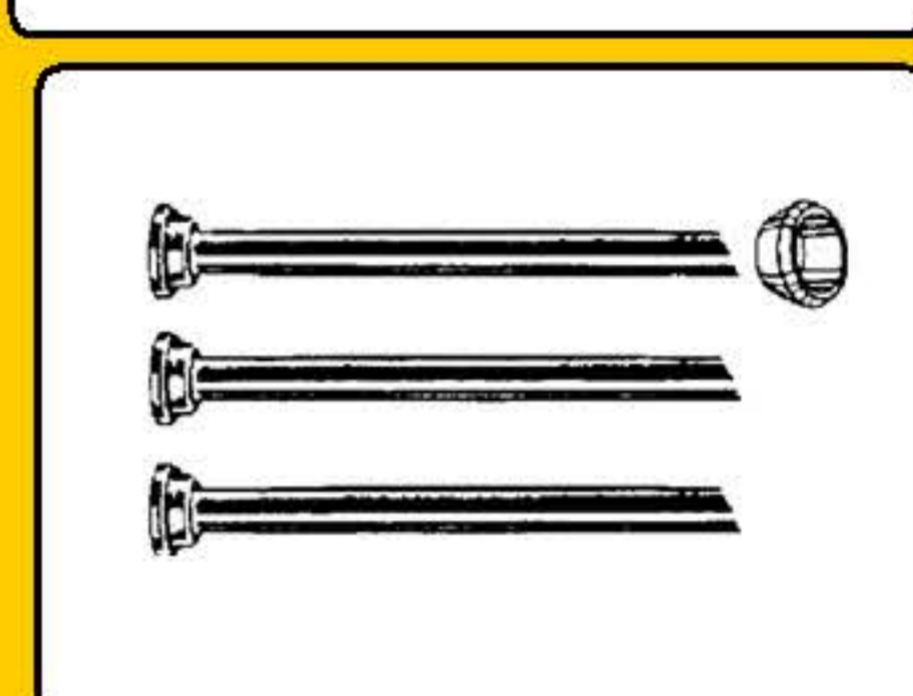
## FLEXIBLE LAVATORY SUPPLIES

|          |  |
|----------|--|
| 43-04012 | 3/8" x 12" Poly Basin Supplies with ferrules |
| 43-04020 | 3/8" x 20" Poly Basin Supplies with ferrules |
| 43-04030 | 3/8" x 30" Poly Basin Supplies with ferrules |
| 43-04036 | 3/8" x 36" Poly Basin Supplies with ferrules |
| 43-04212 | 3/8" x 12" RB Basin Supplies                 |
| 43-04220 | 3/8" x 20" RB Basin Supplies                 |
| 43-04230 | 3/8" x 30" RB Basin Supplies                 |
| 43-04236 | 3/8" x 36" RB Basin Supplies                 |
| 43-04312 | 3/8" x 12" CP Basin Supplies                 |
| 43-04320 | 3/8" x 20" CP Basin Supplies                 |
| 43-04330 | 3/8" x 30" CP Basin Supplies                 |
| 43-04336 | 3/8" x 36" CP Basin Supplies                 |
| 43-04512 | 1/2" x 12" CP Basin Supplies                 |
| 43-04520 | 1/2" x 20" CP Basin Supplies                 |
| 43-04530 | 1/2" x 30" CP Basin Supplies                 |
| 43-04536 | 1/2" x 36" CP Basin Supplies                 |



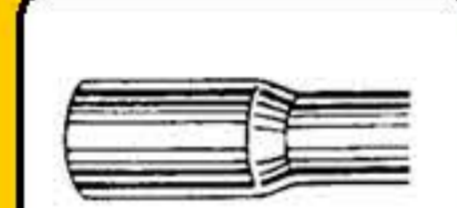
## FLEXIBLE TANK TUBES

|          |  |
|----------|--|
| 43-05012 | 3/8" OD x 12" Poly Tank Supplies with ferrules |
| 43-05020 | 3/8" OD x 20" Poly Tank Supplies with ferrules |
| 43-05312 | 3/8" OD x 12" CP Tank Supplies                 |
| 43-05320 | 3/8" OD x 20" CP Tank Supplies                 |
| 43-05512 | 1/2" OD x 12" CP Tank Supplies                 |
| 43-05520 | 1/2" OD x 20" CP Tank Supplies                 |



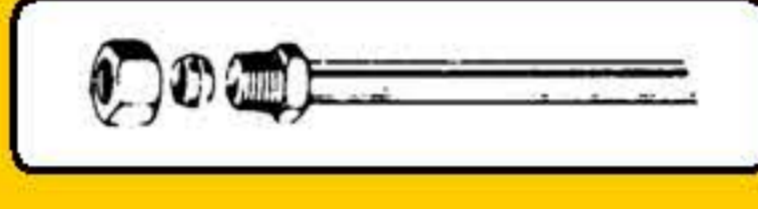
## SWEDGED EXTENSION SUPPLY

|          |     |
|----------|-----|
| 43-07012 | 12" |
| 43-77020 | 20" |



## COMPRESSION EXTENSION SUPPLIES

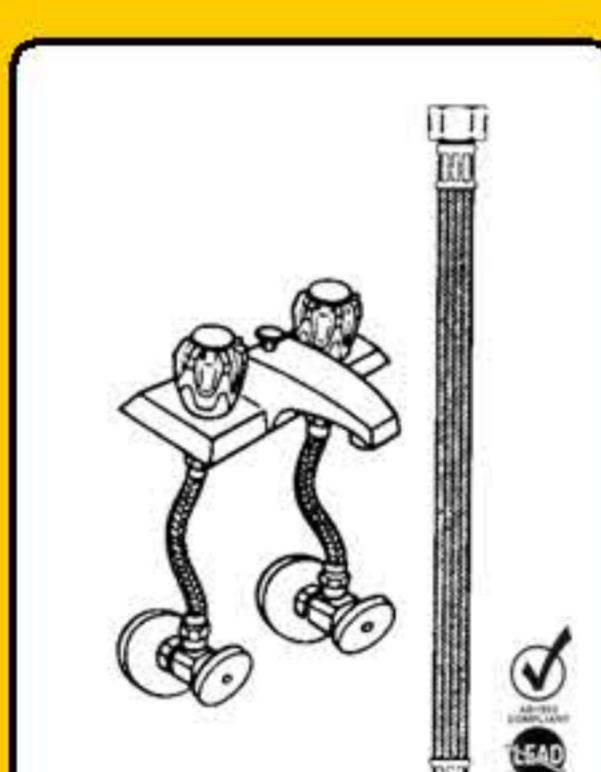
|          |     |
|----------|-----|
| 43-09012 | 12" |
| 43-09020 | 20" |



## AQUA FLEX STAINLESS STEEL FLEX BASIN SUPPLIES

Stainless steel reinforced basin supplies; imported for that competitive edge.

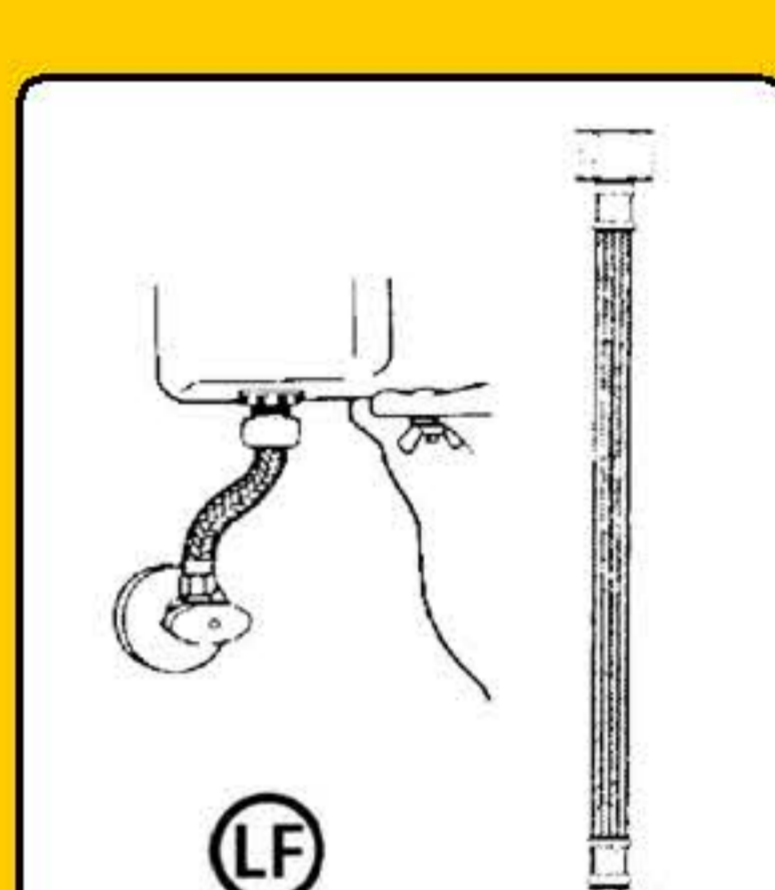
|          |           |
|----------|-----------|
| 43-31012 | 12" Basin |
| 43-31020 | 20" Basin |
| 43-31030 | 30" Basin |
| 43-31036 | 36" Basin |
| 43-31048 | 48" Basin |



## AQUA FLEX STAINLESS STEEL FLEX TANK SUPPLIES

Stainless steel reinforced tank supplies; imported for that competitive edge.

|          |                             |
|----------|-----------------------------|
| 43-32012 | 6" Tank- Plastic Cplg Nut   |
| 43-32009 | 9" Tank- Plastic Cplg Nut   |
| 43-32012 | 12" Tank- Plastic Cplg Nut  |
| 43-32020 | 20" Tank- Plastic Cplg Nut  |
| 43-32512 | 6" Tank- CP Brass Cplg Nut  |
| 43-32509 | 9" Tank- CP Brass Cplg Nut  |
| 43-32512 | 12" Tank- CP Brass Cplg Nut |
| 43-32520 | 20" Tank- CP Brass Cplg Nut |



## AQUA FLEX STAINLESS STEEL FLEX CONNECTORS SUPPLIES

Stainless steel reinforced connector supplies; imported for that competitive edge.

|  |  |
|--|--|
| 43-34012   | 3/8"od fem x 3/8"od fem x 12" Aqua Flex Stainless Steel Sy |
| 43-34020   | 3/8"od fem x 3/8"od fem x 20" Aqua Flex Stainless Steel Sy |
| 43-34048   | 3/8"od fem x 3/8"od fem x 48" Aqua Flex Stainless Steel Sy |
| 43-34060   | 3/8"od fem x 3/8"od fem x 60" Aqua Flex Stainless Steel Sy |
| 1/4" od female x 1/4" od female compression                    |  |
| Stainless steel reinforced connector supplies. Made in the USA |  |
| 43-36072   | 1/4"od fem x 1/4"od comp x 72" Stainless Steel Super Sy    |
| 43-36120   | 1/4"od fem x 1/4"od comp x 120" Stainless Steel Super Sy   |
| 43-36240   | 1/4"od fem x 1/4"od comp x 240" Stainless Steel Super Sy   |



## AQUA FLEX STAINLESS STEEL FLEX DELT CONNECTOR SUPPLIES

Stainless steel reinforced connector supplies; imported for that competitive edge.

|          |   |
|----------|---|
| 43-35012 | 3/8"od fem x 3/8"od comp x 12" Stainless Steel Super Sy |
| 43-35020 | 3/8"od fem x 3/8"od comp x 20" Stainless Steel Super Sy |



## STAINLESS STEEL FLEXIBLE CONNECTORS-USA

|          |  |
|----------|--|
| 43-28420 | 1/4"fp x 1/4"mip x 20" Stainless Steel Supply Connector (fits Delta) |
|----------|--|



## AQUA FLEX FULL FLOW STAINLESS STEEL WATER HEATER - WHIRLPOOL CONNECTOR

|          |                             |
|----------|-----------------------------|
| 43-43012 | 3/4" FIPS x 3/4" FIPS x 12" |
| 43-43018 | 3/4" FIPS x 3/4" FIPS x 18" |
| 43-43024 | 3/4" FIPS x 3/4" FIPS x 24" |



## CREATE-A-VALVE

Fitting that easily screws on to a plumbing stop for easy addition of an additional line with no plumbing necessary. Easily add on instant pots, glass filler, dishwasher, etc.

|          |                          |
|----------|--------------------------|
| 43-27664 | Create-A-Valve 3/8 x 1/4 |
| 43-27666 | Create-A-Valve 3/8 x 3/8 |



## PIGGY BACK / RETROFIT 1/4 Turn Ball Valve

Add valve to existing valve that has stopped working; isolate a separate line off a "T"; add a valve to the end of a flexible adapter without annoying plumbing -

|          |  |
|----------|--|
| 43-43064 | 3/8"Female Swivel OD x 1/4" OD                   |
| 43-43564 | 3/8"Female Swivel OD x 1/4" OD made in N America |
| 43-43066 | 3/8"Female Swivel OD x 3/8"OD                    |
| 43-43566 | 3/8"Female Swivel OD x 3/8"OD made in N America  |



## FLEXIBLE ADAPTERS

|            |                               |
|------------|-------------------------------|
| 52-68C-68  | 3/8"od x 1/2"cc rough brass   |
| 52-68C-68C | 3/8"od x 1/2"cc chrome plated |



## 1/2"CC ANGLE FLEXIBLE ADAPTER

|            |                                     |
|------------|-------------------------------------|
| 52-70C-68  | 3/8"od x 1/2"cc rough brass-angle   |
| 52-70C-68C | 3/8"od x 1/2"cc chrome plated-angle |



## FIP STRAIGHT FLEXIBLE ADAPTER

|           |   |
|-----------|---|
| 52-66-66C | 3/8"od x 3/8"mip straight chrome plated |
| 52-66-68C | 3/8"od x 1/2"mip straight chrome plated |



## MIP STRAIGHT FLEXIBLE ADAPTER

|           |   |
|-----------|---|
| 52-68-66C | 3/8"od x 3/8"mip straight chrome plated |
| 52-68-68C | 3/8"od x 1/2"mip straight chrome plated |



## FIP ANGLE FLEXIBLE ADAPTER

|           |                                      |
|-----------|--------------------------------------|
| 52-70-66C | 3/8"od x 3/8"mip angle chrome plated |
| 52-70-68C | 3/8"od x 1/2"mip angle chrome plated |



## CHROME PLATED NUT

|          |                      |
|----------|----------------------|
| 52-61-6C | 3/8"od chrome plated |
| 52-61-8C | 1/2"od chrome plated |

