

TRIPLE "S" Specialties Corp.

TRAP EXTENSION TUBE

rough brass		chrome plated
42-0101308	1 1/4" x 8	42-0151308
42-0101312	1 1/4" x 12	42-0151312
42-0101508	1 1/2" x 8	42-0151508
42-0101512	1 1/2" x 12	42-0151512

for PVC see page 77



SLOAN TAILPIECE-CP

1 1/4" tubular with 1 1/2" collar	
42-03508	1 1/4" x 8"
42-03512	1 1/4" x 12"



EURO TAILPIECE-CP

1 1/4" tubular with 1 1/4" collar	
42-15512	1 1/4" x 12"



STANDARD TAILPIECE-CP

42-04008	1 1/2" x 1 1/4" x 8"
42-04012	1 1/2" x 1 1/4" x 12"

LONG BRANCH DISHWASHER TAILPIECE

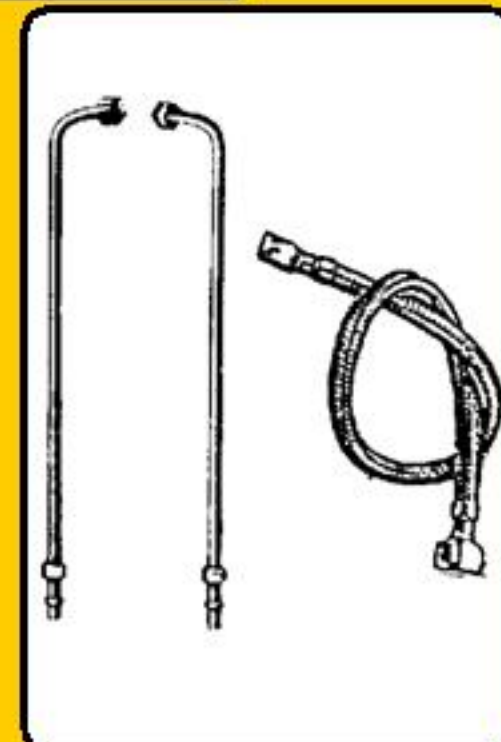
42-05010	1 1/2" x 10"
42-05012	1 1/2" x 12"
42-05510	1 1/2" x 10" with brass nut
42-05512	1 1/2" x 12" with brass nut
42-05710	1 1/2" x 10 with hose end

for PVC see page 77



OFFSET-ANNEAL BATH SUPPLIES

42-07000	pr. 9/16"od x 20-1/2" CP with nuts and washers
42-07050	Trim kit nuts and washers.
42-07500	pr. 9/16"od x 20-1/2" Stainless Steel Bath Supplies



CAST BRASS TUBULAR WASHING MACHINE TAILPIECE

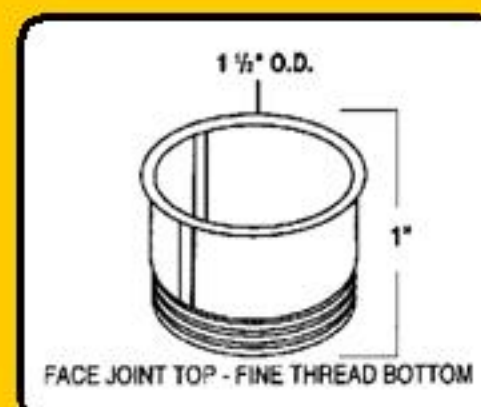
Cast body for durability and tubular ends for versatility.

BP Nuts		Brass nuts
42-11008	8"	42-11508
42-11010	10"	42-11510
42-11012	12"	42-11512



TOP TAILPIECE

42-13150	1 1/2" x 1" RB threaded tailpiece
----------	-----------------------------------



TUBULAR TRAP PRIMER

42-17313	1 1/4" CP TOE 5/8" OD Compression Branch
42-17315	1 1/2" CP TPC 5/8" OD Compression Branch
42-17515	1 1/2" x 12" Brass Nut CB/Tubular 5/8" OD Branch

