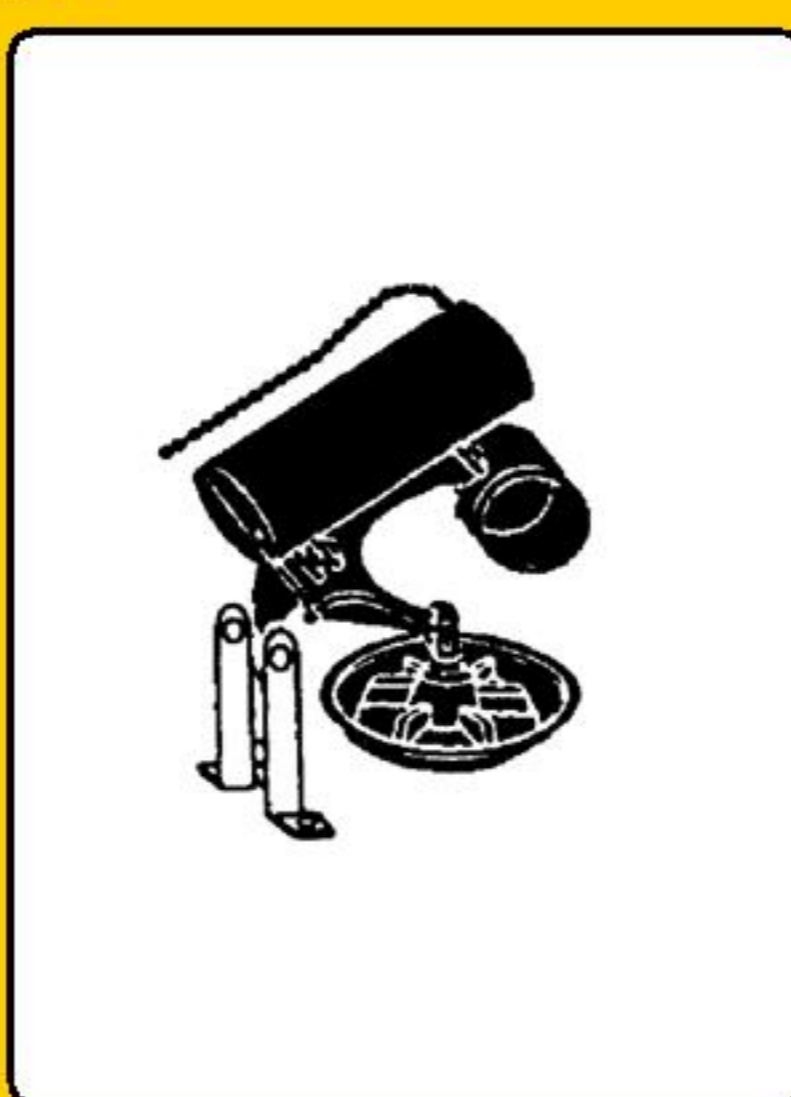


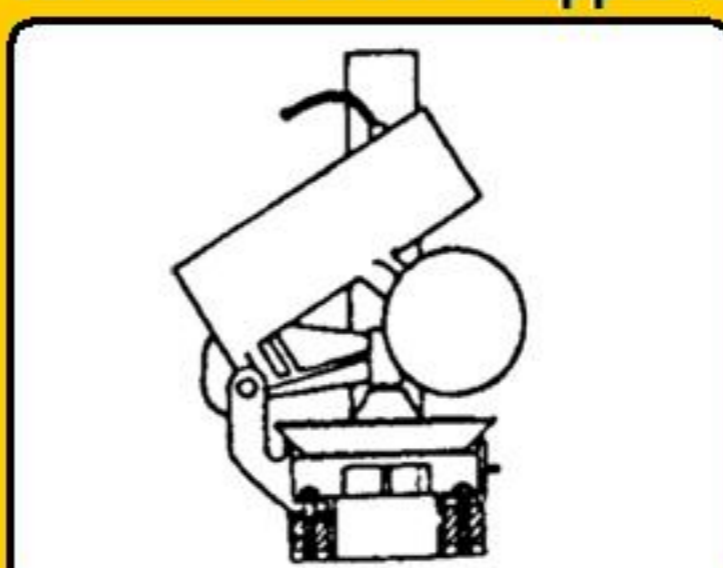
**FV AS 04**  
**American Standard Flush Valve-**  
**Brass base Replaces OEM #47086-07**



**FV AS 04A**  
**American Standard**  
**Actuator for brass base.**  
**Actuator includes support legs.**



**FV AS 05**  
**American Standard**  
**Complete flush valve unit.**  
**Replaces OEM #47089-07**

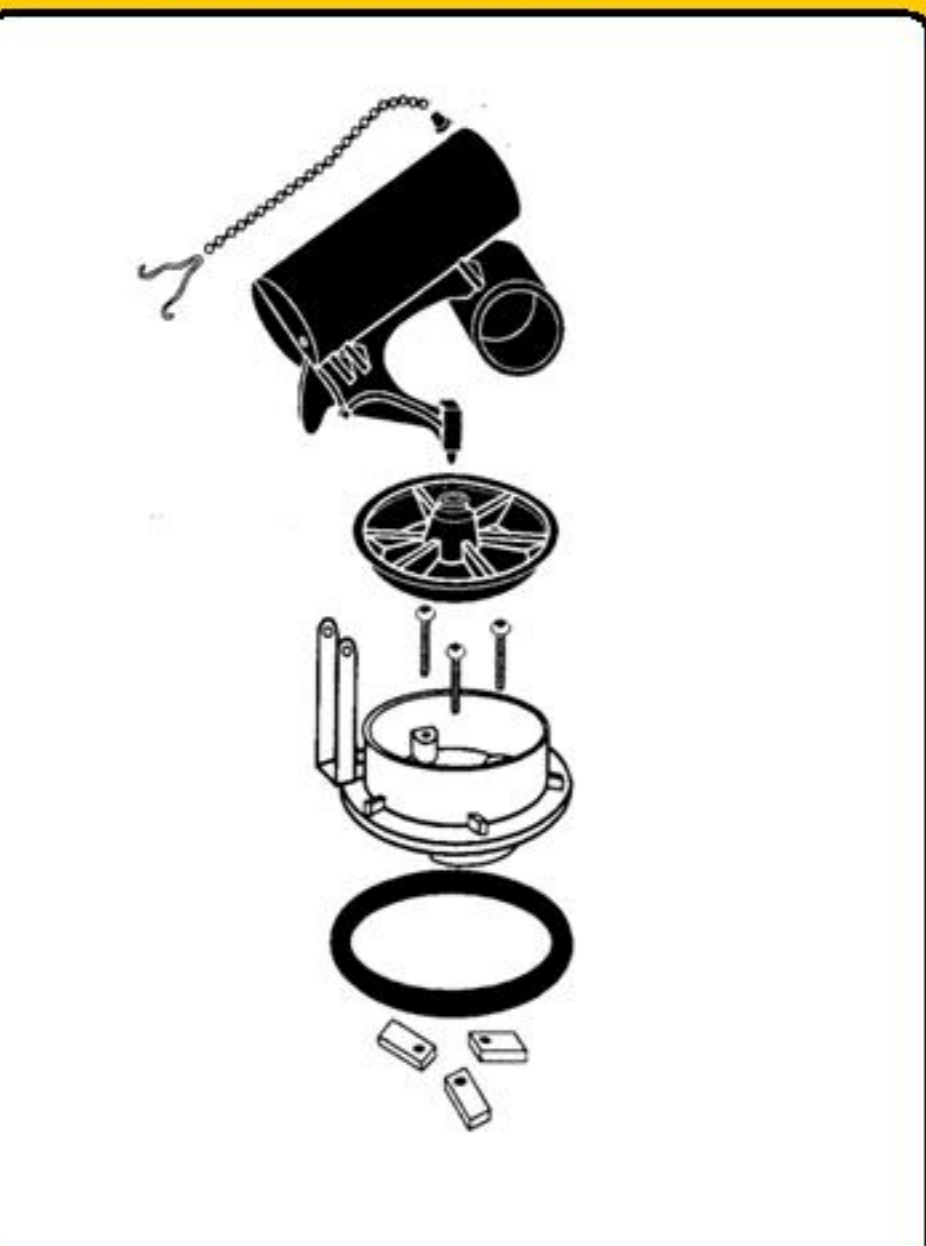


**FV AS 06**  
**American Standard**  
**Complete flush valve compression fit.**

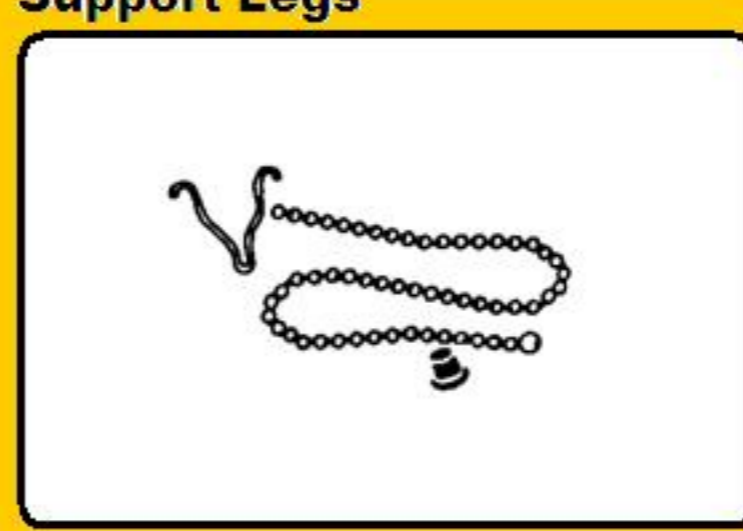
Replaces OEM #47049-07



**FV AS 04L**  
**American Standard**  
**Support Legs**



**FV AS 07**  
**American Standard**  
**Flush valve-Plastic base**  
**Replaces OEM #47017-0007**



**FV AS 01C**  
**American Standard**  
**Lift chain, hook and grommet**



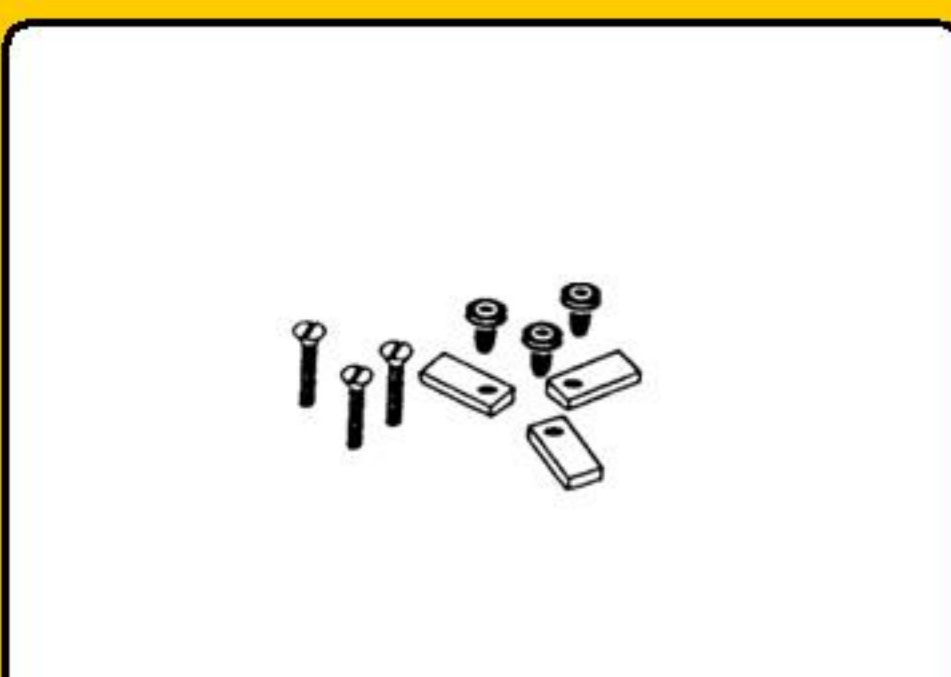
**FV AS 05TA**  
**American Standard**  
**High profile actuator**  
**Replaces OEM # 73380-07**



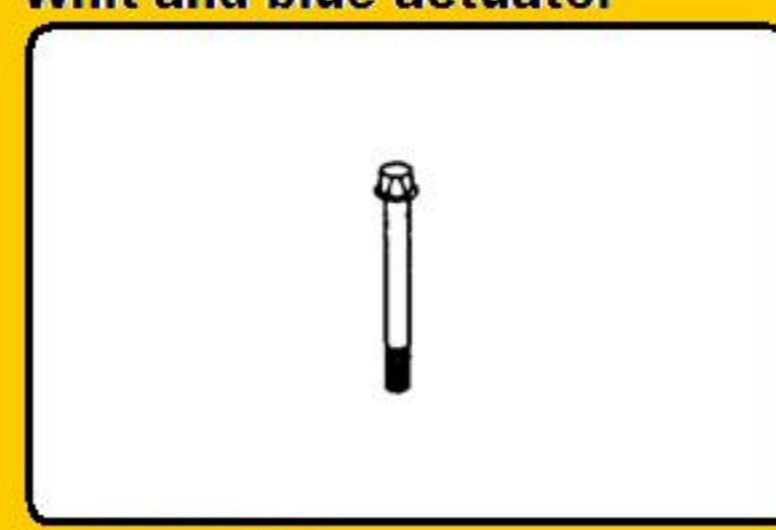
**FV AS 05A**  
**American Standard**  
**Low profile actuator**  
**Replaces OEM # 33642-07**



**FV AS 07A**  
**American Standard**  
**Whit and blue actuator**



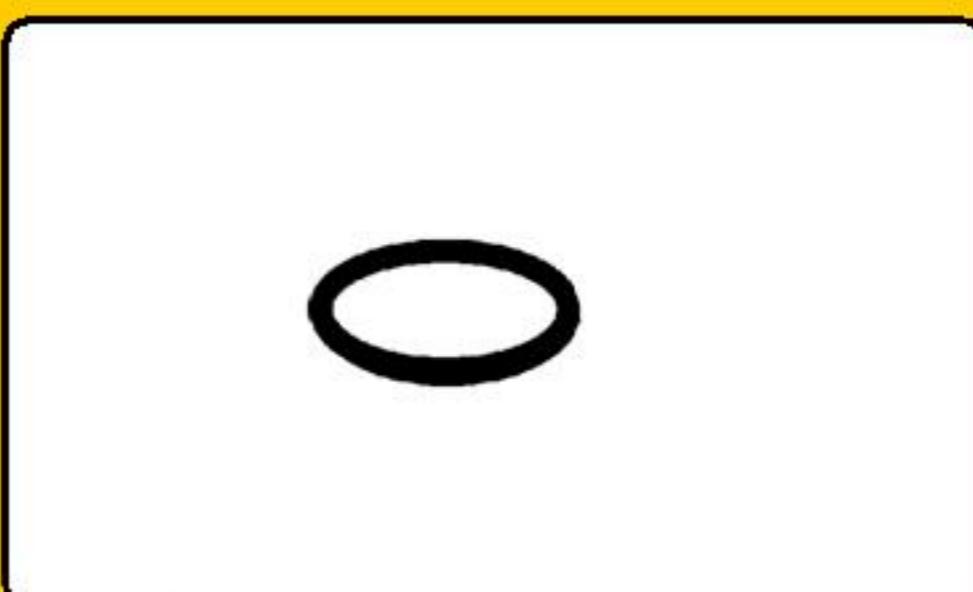
**FV AS 04BK**  
**American Standard**  
**Flush valve bolt down kit**



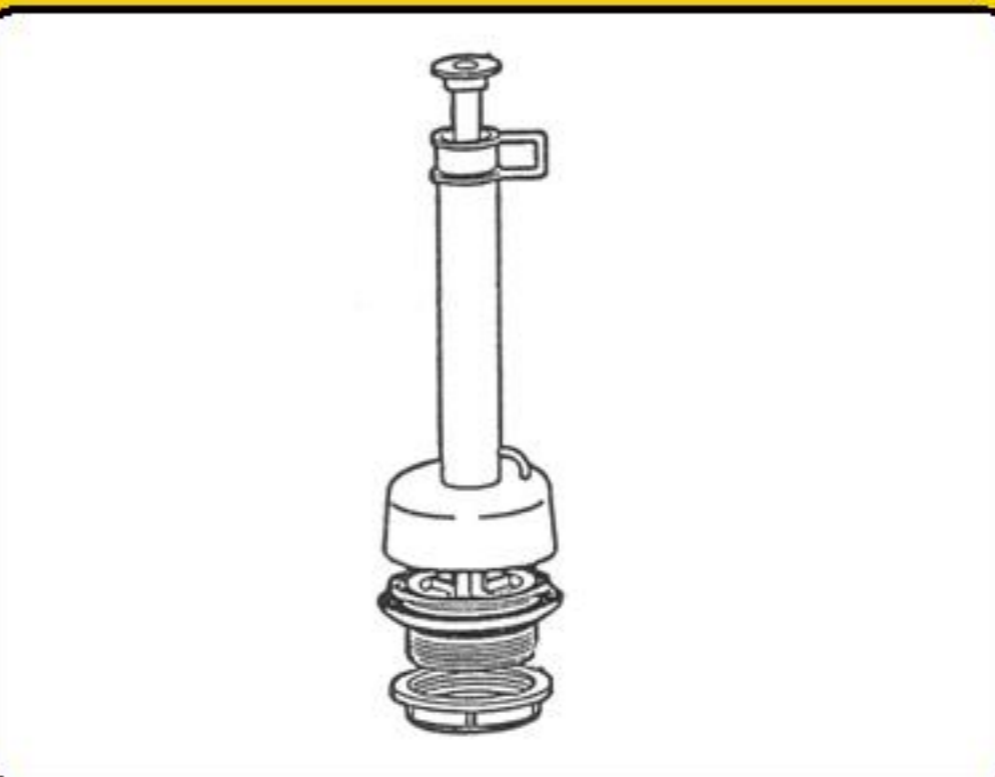
**FV AS 01S**  
**American Standard**  
**Screw for disc**



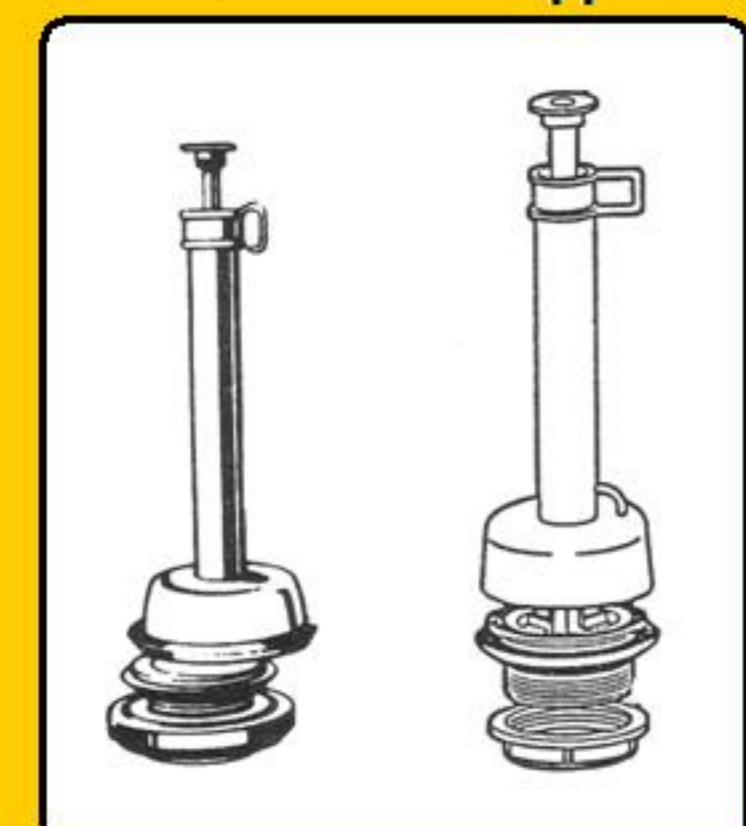
**Kohler Flush Valve**  
**FV KR 650 Kohler Rialto**  
**Flush Valve and Flapper**



**FV AS 04VG**  
**American Standard**  
**Seat seal between base and toilet.**



**FV MP 211 Flush Valve**



**Mansfield Flush Valve**  
**FV MP 208K    FV MP 210**  
**Seal only      flush valve**  
**FV MP          210K seal**



**FV MP 211K seal**



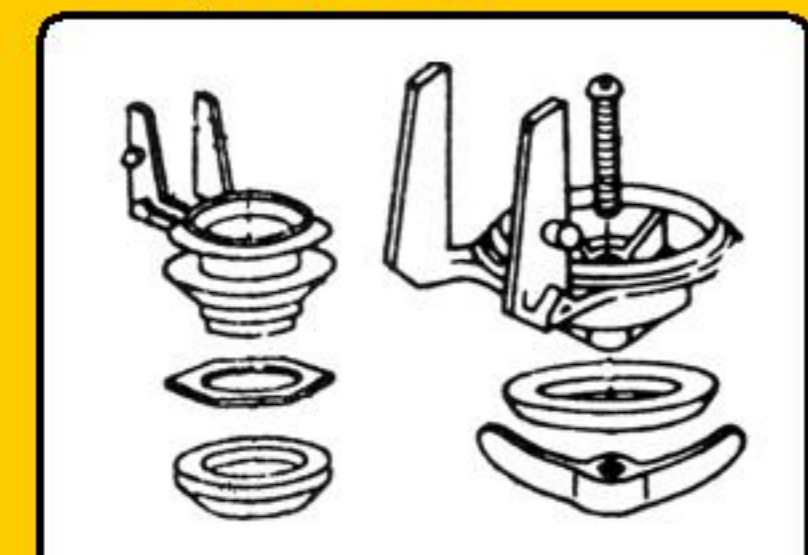
**American Standard Flush Valve**  
**FV AS 55K parts 1, 2 and 5**  
**FV AS 55S feather washer part #5**



**FV UR 278 Universal Rundle,**  
**Sears, Milwaukee**



**FV UR 263 Rubber Disc**  
**FV UR 267 Rubber Strap**  
**FV UR 530 Disc and Strap**



**FV UR 268      FV UR 258**  
**Universal Rundle, Sears, Milwaukee**  
**Flush Valve Pinion**



**American Standard, Curtain, Briggs**  
**FV CN 50 Flush Valve**  
**(screws outside the column)**  
**FV CN 51 Flush Valve**  
**(screws inside the column)**  
**FV CN 50S Flush Valve Leather Seal**